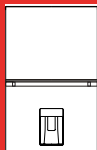




# Hoover's quick & snappy start up guide.

332 L Top Mount Refrigerator  
with Water Dispenser



Model #: **HV-RTMWD332**  
Version #: **V1.0**  
After Sales Support **1300 886 649**

## Let's get your refrigerator up and running!

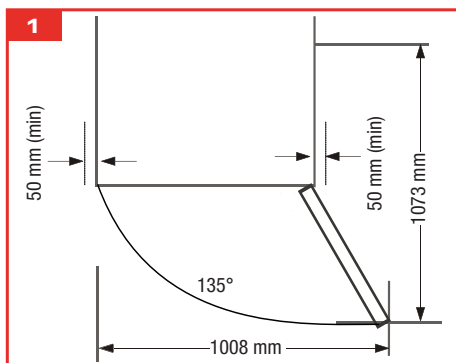
Welcome to your new Hoover french door fridge freezer! We hope that this product brings you many years of enjoyment.

Comprehensive installation instructions, diagrams and safety advice are provided in the supplied instruction manual.

**CAUTION!** The unit is heavy - transport it with care! To avoid back or other injury, we recommend you ask someone for help or use a mechanical aid when moving it.

### Installation

- Before you start installing your new top mount refrigerator, wipe the interior surfaces and accessories with a well wrung out cloth moistened with lukewarm water with a little baking soda added. This will remove any dust from transit and storage and help remove the typical smell of a brand new product. Dry thoroughly.
- The fridge is designed for freestanding use. The floor must be strong, sturdy and level—adjust the leveling feet, if necessary. Avoid areas where the fridge would be exposed to direct sunlight, heat, extreme cold ambient temperatures or excessive moisture and high humidity. Installing it in the coolest area of the room will save energy consumption and running costs. Allow at least 10 cm clear space at the back and 5 cm at the sides so air can circulate freely around the fridge (Fig. 1).

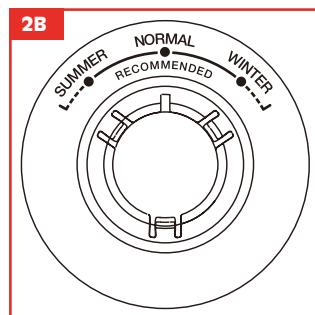
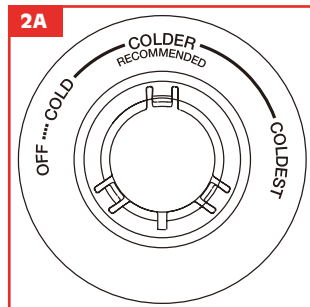


### Setting Up

- Before plugging in your new fridge, let it stand upright for at least 4 hours to allow the refrigerant gases to settle into the compressor.
- Plug in the fridge and secure the power supply cord behind the unit, making sure the plug is accessible after installation.
- When first starting up, and after a period out of use, allow the unit to cool down on the coldest settings (in both compartments) for at least 2-3 hours before placing perishable food in the fridge.

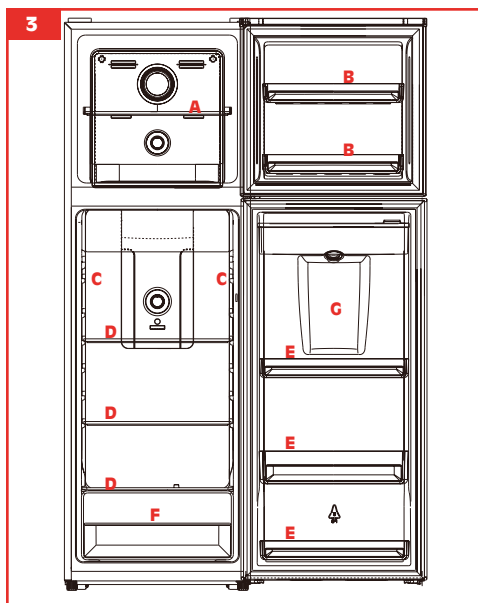
## Temperature regulation

- This appliance has two temperature controls, one in the fridge (Fig. 2a) and one in the freezer compartment (Fig. 2b), so you can adjust the temperature separately according to the requirements of the foods stored in each compartment.
- The controls are located on the interior back walls of the fridge and freezer compartments.
- To adjust the temperature in the fridge compartment, turn the control clockwise towards COLDEST to lower the temperature and anticlockwise towards COLD to increase the temperature in the compartment. A middle setting on COLDER should be appropriate for normal usage.
- To adjust the freezer temperature, turn the freezer temperature control dial anticlockwise towards SUMMER to lower the temperature (recommended for hot months) and clockwise towards WINTER to increase the temperature (recommended for cold months). A middle setting on NORMAL should be appropriate for normal usage.



## Inside the fridge and freezer

- The interior of the fridge and freezer compartments (Fig. 3) have a variety of storage solutions to keep your chilled and frozen products organised.
- The freezer compartment is equipped with a glass shelf (A) and two door balconies (B) for convenient access and organised storage. It is suitable for freezing domestic quantities of fresh food and long-term storage (up to three months) of frozen food.
- The fridge compartment is suitable for short-term storage of all your fresh food. The walls of the fridge are equipped with a series of runners (C) so that you can position the glass shelves (D) to suit your individual storage requirements.
- The door balconies (E) in the fridge compartment may be placed at different heights: gradually pull a balcony up until it is free, then reposition it as required.
- The easy-to-pull-out crisper drawer (F) is covered with a glass shelf to help you keep your fruit and vegetables fresh.
- The water dispenser (G) can be filled and used to provide chilled water.



Hope you enjoy your new Hoover  
top mount refrigerator.