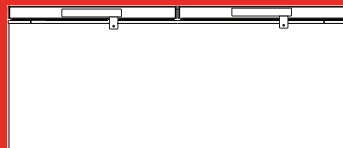




# Hoover's quick & snappy start up guide.

688 L Digital Chest Freezer



Model #:	HV-RCF688D
Version #:	V1.0
After Sales Support	1300 886 649

## Let's get your chest freezer up and running!

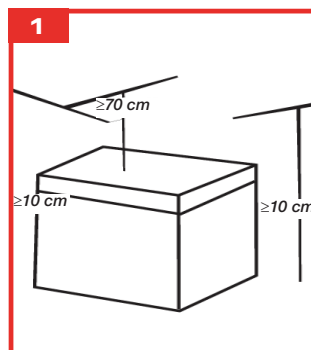
Welcome to your new Hoover freezer! We hope that this product brings you many years of enjoyment.

Comprehensive installation instructions, diagrams and safety advice are provided in the supplied instruction manual.

**CAUTION!** The freezer is heavy - transport it with care! To avoid back or other injury, we recommend you ask someone for help or use a mechanical aid when moving it.

### Installation

- Before you start installing the freezer, wipe the interior surfaces and accessories with a damp cloth to remove any dust from transit and storage. Dry thoroughly.
- Tilt the freezer carefully - not more than 45 degrees - and move it to its designated place. Use the roll wheels under the back corners to help you position it in place and the levelling feet at the front for adjustment, if necessary.
- Avoid areas where the freezer would be exposed to direct sunlight, heat, extreme cold ambient temperatures or excessive moisture and high humidity. Installing it in the coolest area of the room will save energy consumption and running costs. Allow at least 10 cm clear space at the back and sides of the unit, and 70 cm above (Fig. 1), so air can circulate freely around the freezer.



### Connection

#### Settling

- Before plugging in your new freezer, let it stand upright for at least 4 hours to allow the refrigerant gases to settle into the compressor.

#### Connection

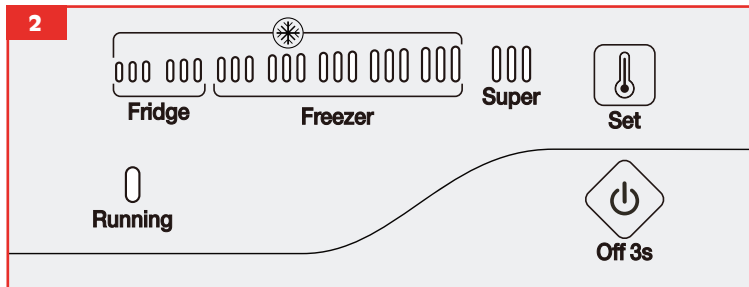
- Plug in the freezer and secure the power cord behind the unit, making sure the plug is accessible after installation.

#### First use

- The first time you turn the unit on, select the appropriate mode (see overleaf) and set the temperature control to the coldest temperature in the range. Then, after 24 hours, adjust the temperature to your needs.

## Usage

- This appliance can be used as a chest freezer, or as a refrigerated storage cabinet for unfrozen food.
- For convenient access and organised storage, the cabinet is equipped with a wire basket.
- The control panel is located at the front of the storage cabinet, in the bottom right-hand corner (Fig. 2). Use it to select adjust the temperature in the cabinet.



## Controls

- When the freezer is first connected to electricity, all indicator lights will flash once. The RUNNING indicator light will remain illuminated while the compressor is on.
- To enter temperature setting mode, press the SET button (Fig. 3b).
- Repeatedly press the SET button to decrease the temperature.
- Each time the button is pressed, an additional indicator light will appear, moving from FRIDGE (levels 1 and 2) to FREEZER (levels 3, 4, 5, 6 and 7) to SUPER, as the temperature decreases (Fig. 3a).
- Use the SUPER freeze mode for fast cooling down of the cabinet.
- Press the SET button continue to cycle through the temperature levels.
- The temperature level will automatically set 5 seconds after the last button press.  
NOTE: 30 minutes after the last button press, the illuminator light will lower to half luminance.  
NOTE: If there is a power outage, when the freezer resumes working, it will automatically start in the previously set mode.
- To turn the freezer off, press the OFF button (Fig. 3c) for three seconds, before unplugging the unit from the power supply.

