



# Hoover's quick & snappy start up guide.

526 L Top Mount Refrigerator  
with Water Dispenser

Model #: HV-RTMWD526  
Version #: V1.1  
After Sales Support 1300 886 649

## Let's get your refrigerator up and running!

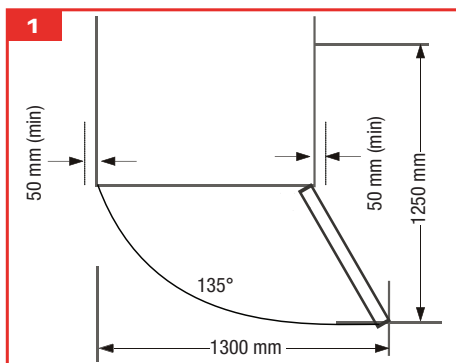
Welcome to your new Hoover top mount refrigerator with water dispenser! We hope that this product brings you many years of enjoyment.

Comprehensive installation instructions, diagrams and safety advice are provided in the supplied instruction manual.

**CAUTION!** The unit is heavy - transport it with care! To avoid back or other injury, we recommend you ask someone for help or use a mechanical aid when moving it.

### Installation

- Before you start installing your new top mount refrigerator, wipe the interior surfaces and accessories with a well wrung out cloth moistened with lukewarm water with a little baking soda added. This will remove any dust from transit and storage and help remove the typical smell of a brand new product. Dry thoroughly.
- The fridge is designed for freestanding use. The floor must be strong, sturdy and level—adjust the levelling feet, if necessary. Avoid areas where the fridge would be exposed to direct sunlight, heat, extreme cold ambient temperatures or excessive moisture and high humidity. Installing it in the coolest area of the room will save energy consumption and running costs. Allow at least 10 cm clear space at the back and 5 cm at the sides (Fig. 1) so air can circulate freely around the fridge.



### Setting Up

- Before plugging in your new fridge, let it stand upright for at least 4 hours to allow the refrigerant gases to settle into the compressor.
- Plug in the fridge and secure the power supply cord behind the unit, making sure the plug is accessible after installation.
- When first starting up, and after a period out of use, allow the unit to cool down on the coldest settings (in both compartments) for at least 2-3 hours before placing perishable food in the fridge.

## Temperature regulation

- The control panel (Fig. 2) is located on the outside door of the refrigerator compartment. It enables you to view and adjust the temperature in the fridge compartments, select an operation mode or lock the control panel.
- You can set the temperature of the fridge by pressing the FRIDGE button (d) on the control panel to enter temperature adjustment mode. The current fridge temperature will flash.
- Press this button repeatedly to cycle through the temperature options (a):

2°C -> 3°C -> 4°C -> 6°C -> 8°C

This cycle will then repeat.

- If there are no button operations for five seconds, the new temperature will stop flashing, indicating that it has been set.
- The control panel will be locked automatically 2 seconds after the last control panel operation, and the control panel illumination will extinguish 1 minute thereafter.
- Power cooling mode offers fast and effective chilling. To enter or exit this mode, press the POWER COOL button (e). The relevant symbol (b) will illuminate when this mode is active.
- To lock/unlock the control panel, press the POWER COOL button for 3 seconds. The lock icon (c) will illuminate while the control panel is locked.
- To adjust the freezer temperature, turn the freezer temperature control dial anticlockwise towards SUMMER to lower the temperature (recommended for hot months) and clockwise towards WINTER to increase the temperature (recommended for cold months) (Fig. 3).
- A middle setting on NORMAL should be appropriate for normal usage.
- When making ice cubes, or after you have added larger quantities of unfrozen food, set the control temporarily to SUMMER for fast freezing.

